

P-22026

SUPPORT FOR 2510-65 CYLINDER CHANGE

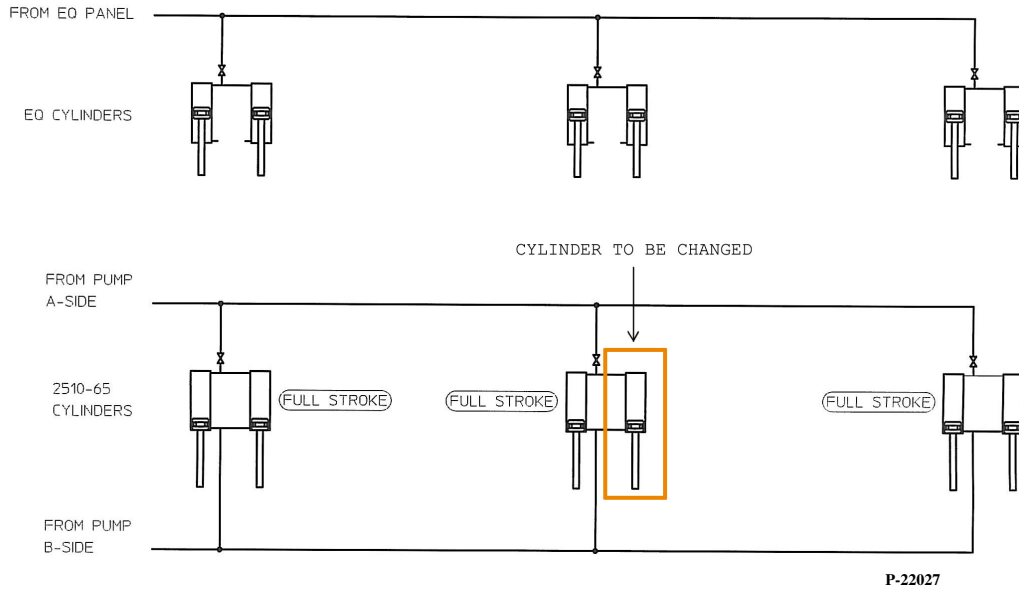
Web version manual

For complete version
contact Bygging-Uddemann:
info@bygging-uddemann.se



1. PREPARATIONS

1.1 All 2510-65: Full stroke on A-Side (To empty B-Side of oil).

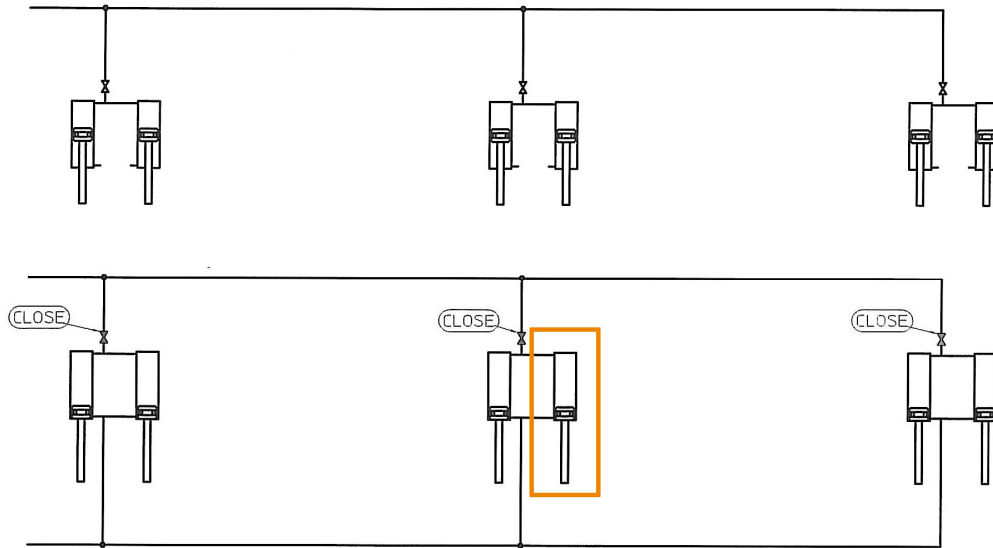


P-22027

Fig. 1. Full stroke on A-side

1.2 All 2510-65: Make sure both grip jaw heads are gripping.

1.3 All 2510-65: A-Side: Close all ball valves.



P-22028

Fig. 2. Close all ball valves

1.4 Depressurize system (Pull the levers on the pumps)



2. CONNECTING THE LEVER OPERATED CONTROL VALVE

2.1 2510-65: A-Side:

Disconnect hose to the ball valve and connect the same hose to the same hose to the ball valve on the control valve (which is connected to P-port on control valve). (See Fig. 3)

2.2 2510-65: B-Side:

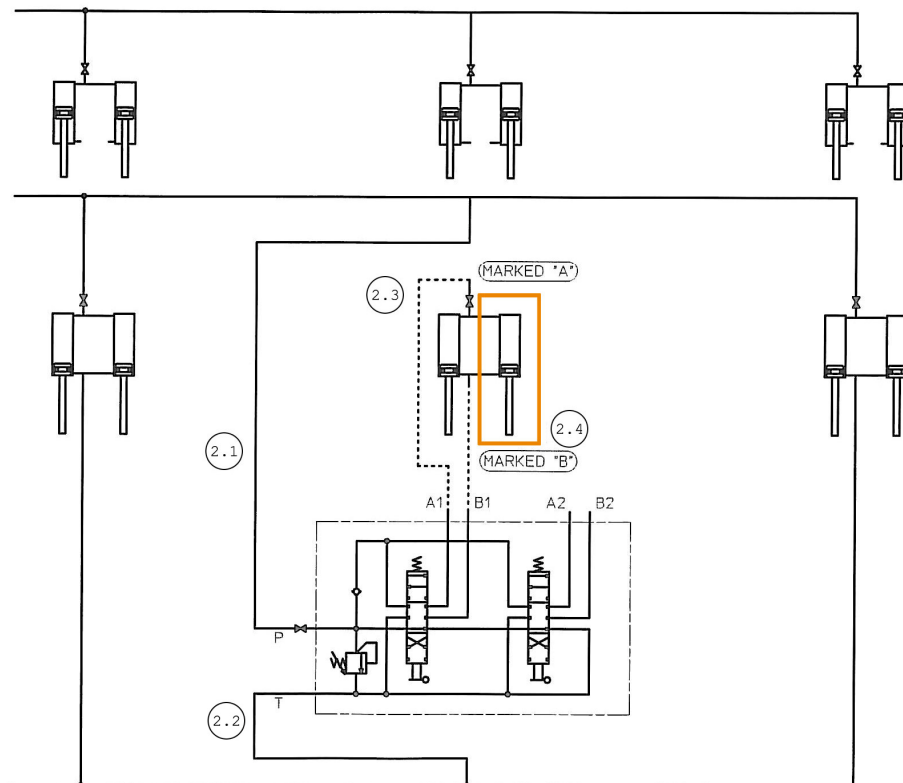
Disconnect hose and connect the same hose to the T-port on the control valve. (See Fig. 3)

2.3 2510-65: A-Side:

Connect the hose from the control valve marked "A" to the ball valve. (See Fig. 3)

2.4 2510-65: B-Side:

Connect the hose, from the control valve, marked "B" to the cylinders. (See Fig. 3)

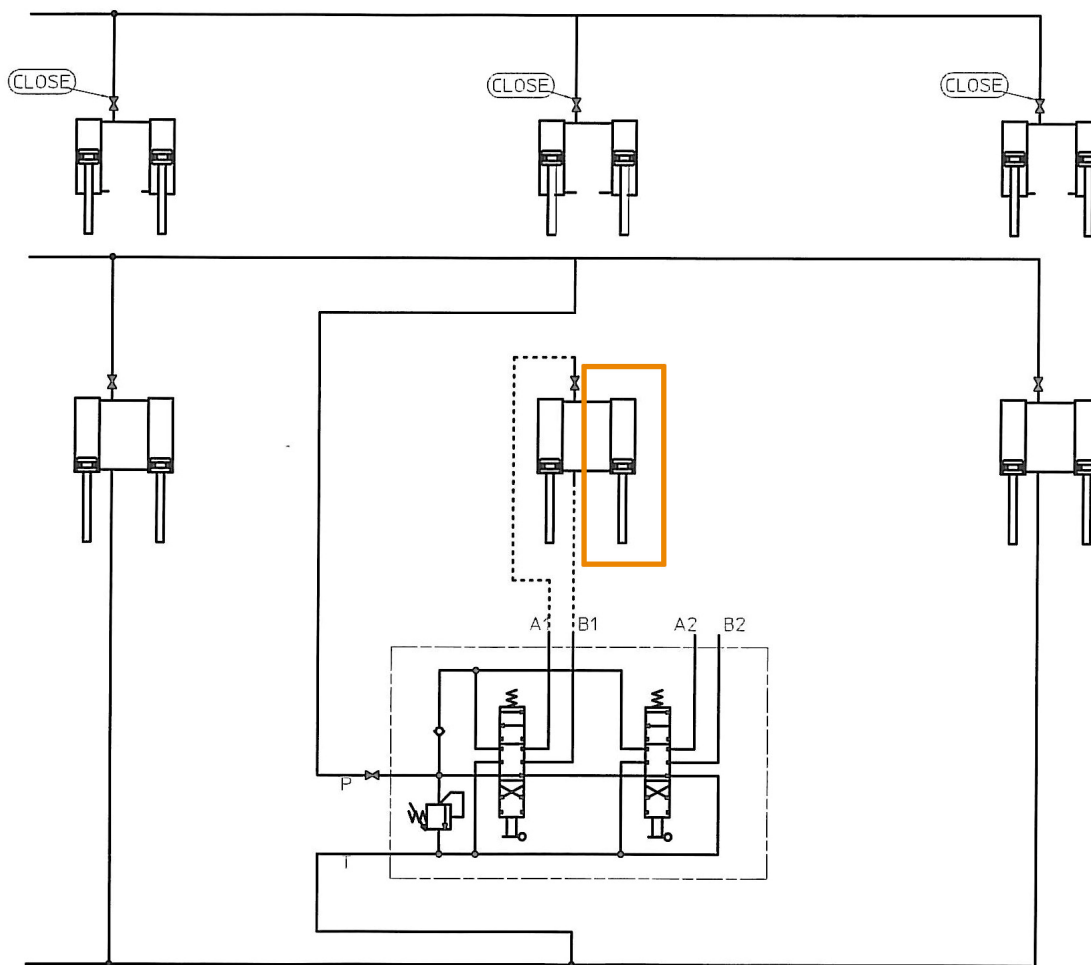


P-22029

Fig. 3. Hose connections



2.5 All equalizers: A-Side: Close all ball valves. (See Fig. 4)



P-22030

Fig 4. Close all ball valves

2.6 Depressurize system.

Web version manual

For complete version
contact Bygging-Uddemann:
info@bygging-uddemann.se